

Head Office and Distribution:  
Compcos Safety Systems Ltd,  
The Stable Block,  
Cleeve House, Malvern Road, Worcester.  
WR2 4YX

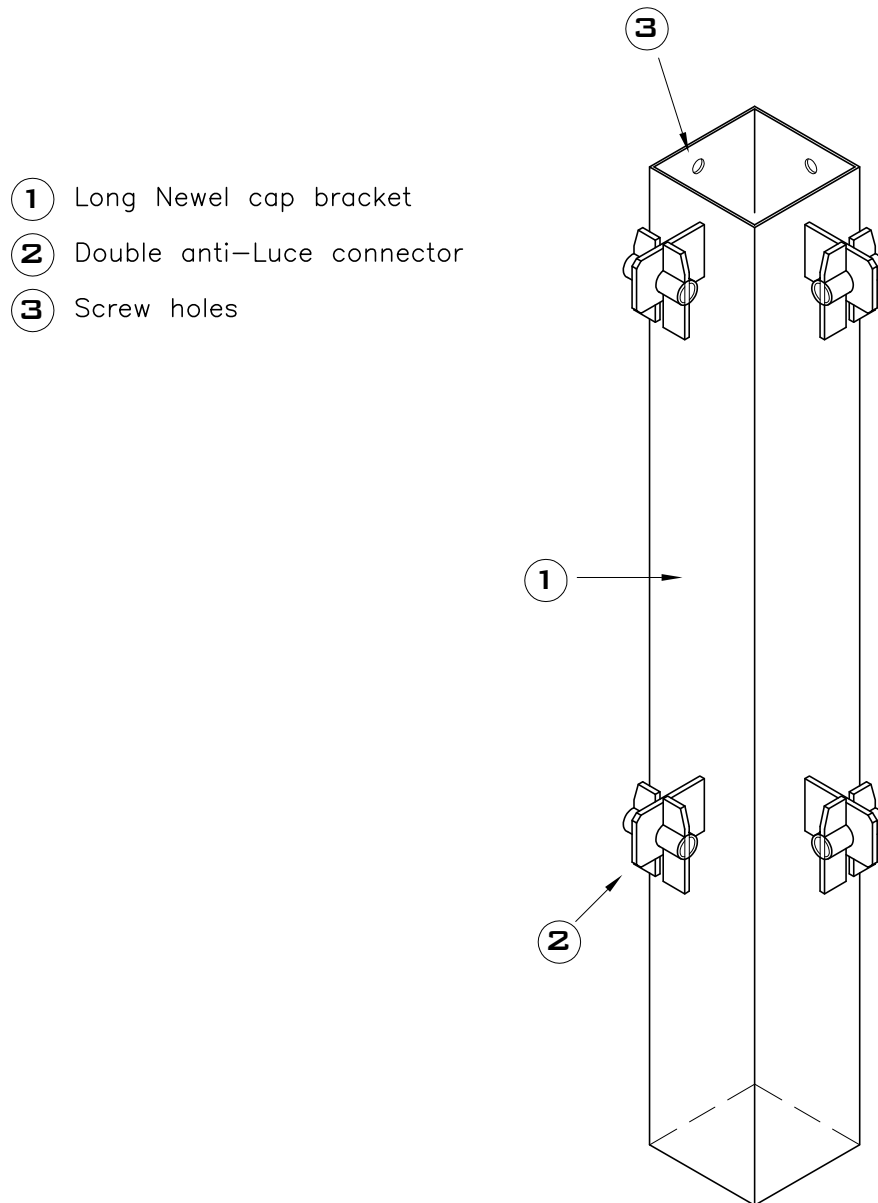
T: 01905 428 943  
F: 01905 425 917

enquiries@compcosafety.co.uk  
www.compcosafety.co.uk

# CS-20- LONG NEWEL TOP BRACKET

## FOR INSTALLATION TO WOODEN STAIRCASES

01. PLACE LONG NEWEL TOP BRACKET ( ITEM 1 ) OVER TOP OF NEWEL POST ( IF AVAILABLE ) IN REQUIRED POSITION
02. SECURE USING 2 NO. 6MM WOOD SCREWS ( ITEM 3 )
03. DOUBLE ANTI-LUCE ARRANGEMENT ( ITEM 2 ) ENSURES BRACKET IS UNIVERSAL AND NOT HANDED
04. ENSURE THAT ANTI-LUCE FASTENERS ( ITEM 2 ) ARE IN HORIZONTAL POSITION TO ACCEPT TELESCOPIC HANDRAIL



CS-20 -

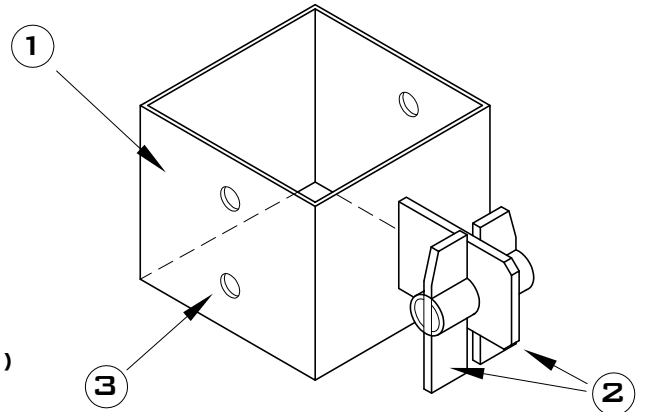
LONG NEWEL TOP CORNER BRACKET

COMPCO  
SAFETY

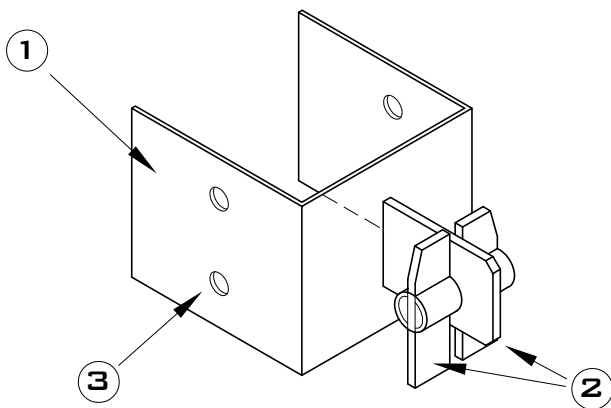
# CS-21- NEWEL TOP BRACKET

## FOR INSTALLATION TO WOODEN STAIRCASES

01. PLACE NEWEL TOP BRACKET ( ITEM 1 )  
OVER TOP OF NEWEL POST  
( IF AVAILABLE ) IN REQUIRED POSITION )
02. SECURE USING 2 NO. 6MM WOOD SCREWS  
( ITEM 3 )
03. DOUBLE ANTI-LUCE ARRANGEMENT ( ITEM 2 )  
ENSURES BRACKET IS UNIVERSAL  
AND NOT HANDED
04. ENSURE THAT ANTI-LUCE FASTENERS ( ITEM 2 ) ARE IN HORIZONTAL POSITION TO  
ACCEPT TELESCOPIC HANDRAIL



# CS-22- NEWEL INTERMEDIATE BRACKET

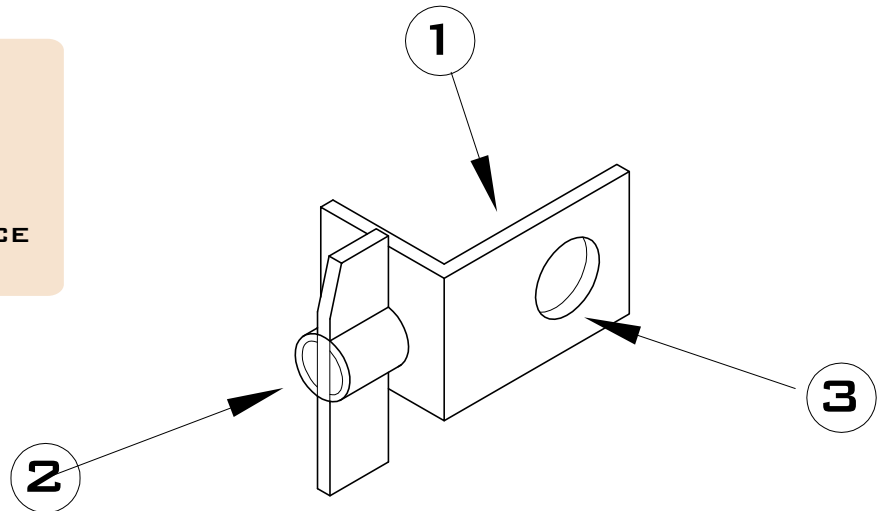


- ① NEWEL BRACKET
- ② DOUBLE ANTI-LUCE CONNECTOR
- ③ SCREW HOLES

## FOR INSTALLATION TO WOODEN STAIRCASES

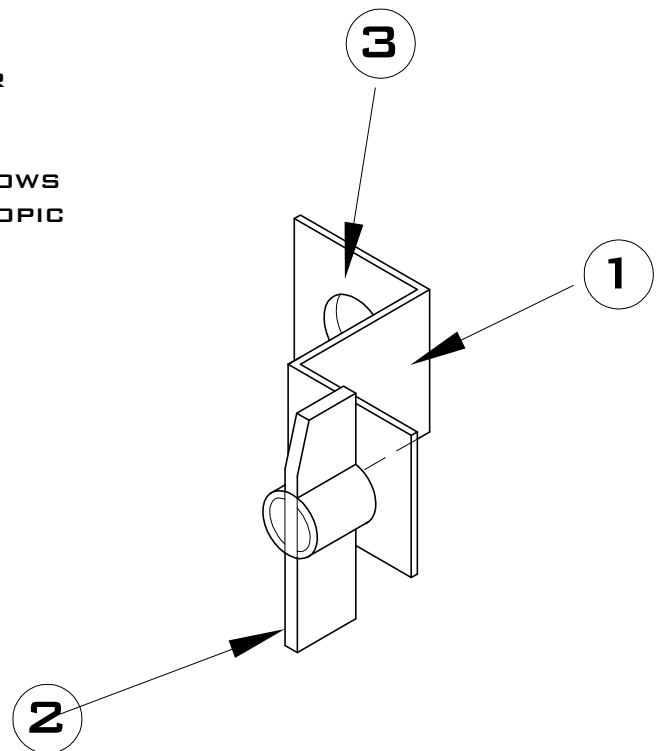
01. PLACE NEWEL INTERMEDIATE / BOTTOM BRACKET ( ITEM 1 ) IN REQUIRED  
POSITION ON NEWEL POST ( IF AVAILABLE )
02. BRACKET IS HELD IN PLACE USING 2 NO. 6MM WOOD SCREWS ( ITEM 3 )
03. DOUBLE ANTI-LUCE ARRANGEMENT ( ITEM 2 ) ENSURES BRACKET IS UNIVERSAL  
AND NOT HANDED
04. ENSURE THAT ANTI-LUCE FASTENERS ( ITEM 2 ) ARE IN HORIZONTAL POSITION TO  
ACCEPT TELESCOPIC HANDRAIL

- ① CORNER CONNECTOR
- ② ANTI-LUCE CONNECTOR
- ③ HOLE TO RECEIVE ANTI-LUCE



**FOR USE THROUGHOUT THE SYSTEM  
WHERE A CHANGE OF DIRECTION IS  
REQUIRED**

- 01. OFFER 21MM HOLE ( ITEM 2 ) IN CORNER CONNECTOR ( ITEM 1 ) TO HORIZONTAL ANTI-LUCE ON EITHER NEWEL BRACKET OR POST COMPONENT
- 02. LOCK ANTI-LUCE FASTENER INTO PLACE
- 03. FREE ANTI-LUCE FASTENER ( ITEM 3 ) ALLOWS FOR CHANGE IN DIRECTION USING TELESCOPIC HANDRAIL

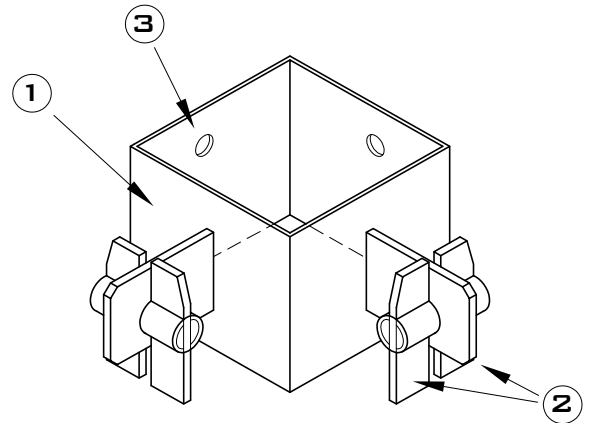


- ① ZED SPACER
- ② ANTI-LUCE CONNECTOR
- ③ HOLE TO RECEIVE ANTI-LUCE

**CS23B  
CORNER CONNECTOR  
AND ZED SPACER**

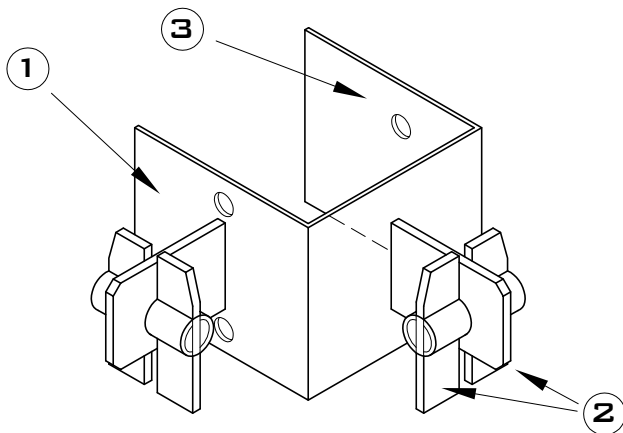
## CS-21C- NEWEL TOP CORNER BRACKET

FOR INSTALLATION TO WOODEN STAIRCASES WHERE CHANGE OF DIRECTION IS REQUIRED



01. PLACE NEWEL TOP BRACKET ( ITEM 1 ) OVER TOP OF NEWEL POST ( IF AVAILABLE ) IN REQUIRED POSITION
02. SECURE USING 2 NO. 6MM WOOD SCREWS ( ITEM 3 )
03. DOUBLE ANTI-LUCE ARRANGEMENT ( ITEM 2 ) ON TWO SIDES ENSURES BRACKET IS UNIVERSAL AND NOT HANDED AND ALLOWS CHANGE OF DIRECTION FOR TURNS IN STAIRCASE RISER
04. ENSURE THAT ANTI-LUCE FASTENERS ( ITEM 2 ) ARE IN HORIZONTAL POSITION TO ACCEPT TELESCOPIC HANDRAIL

## CS-22C- NEWEL INTERMEDIATE CORNER BRACKET



- ① NEWEL BRACKET
- ② DOUBLE ANTI-LUCE CONNECTOR
- ③ SCREW HOLES

FOR INSTALLATION TO WOODEN STAIRCASES WHERE CHANGE OF DIRECTION IS REQUIRED

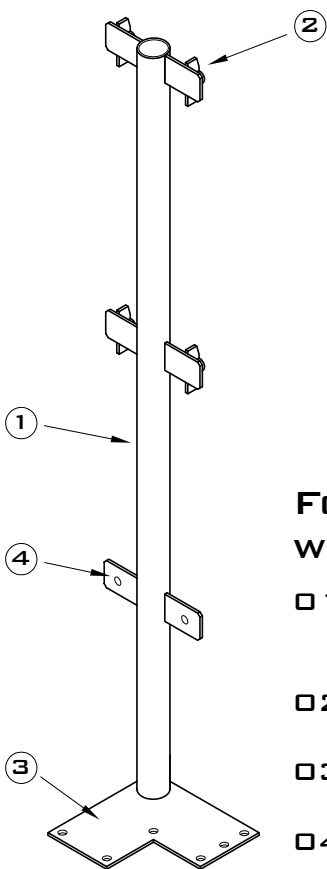
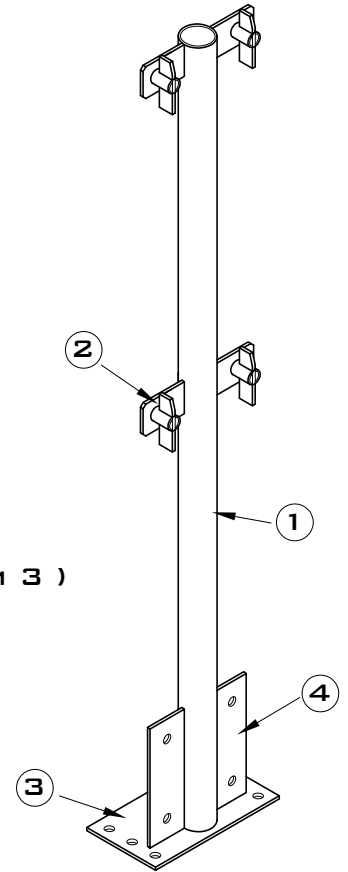
01. PLACE NEWEL INTERMEDIATE / BOTTOM BRACKET ( ITEM 1 ) IN REQUIRED POSITION ON NEWEL POST ( IF AVAILABLE )
02. BRACKET IS HELD IN PLACE USING 2 NO. 6MM WOOD SCREWS ( ITEM 3 )
03. DOUBLE ANTI-LUCE ARRANGEMENT ( ITEM 2 ) ON TWO SIDES ENSURES BRACKET IS UNIVERSAL AND NOT HANDED AND ALLOWS CHANGE OF DIRECTION FOR TURNS IN STAIRCASE RISER
04. ENSURE THAT ANTI-LUCE FASTENERS ( ITEM 2 ) ARE IN HORIZONTAL POSITION TO ACCEPT TELESCOPIC HANDRAIL

## CS-23F -FLAT POST

- ① FLAT POST
- ② ANTI-LUCE CONNECTOR
- ③ FOOT PLATE
- ④ TOE BOARD PLATES

### FOR INSTALLATION TO WOODEN FLOORS OPEN LANDING AREAS

- 01. POSITION POST ( ITEM 1 ) IN REQUIRED AREA AND SECURE USING 7 NO. 8MM COACH BOLTS THROUGH FOOTPLATE ( ITEM 3 )
- 02. ENSURE ANTI-LUCE FASTENERS ( ITEM 2 ) ARE FACING OUTWARD OF THE LANDING EDGE
- 03. ENSURE THAT ANTI-LUCE FASTENERS ( ITEM 2 ) ARE IN HORIZONTAL POSITION TO ACCEPT TELESCOPIC HANDRAIL
- 04. FIT TOE-BOARDS TO FOOTPLATE VERTICAL PLATES ( ITEM 3 ) AS REQUIRED



## CS-23S -STAIR POST

- ① STAIR POST
- ② ANTI-LUCE CONNECTOR
- ③ FOOT PLATE
- ④ TOE BOARD LUGS

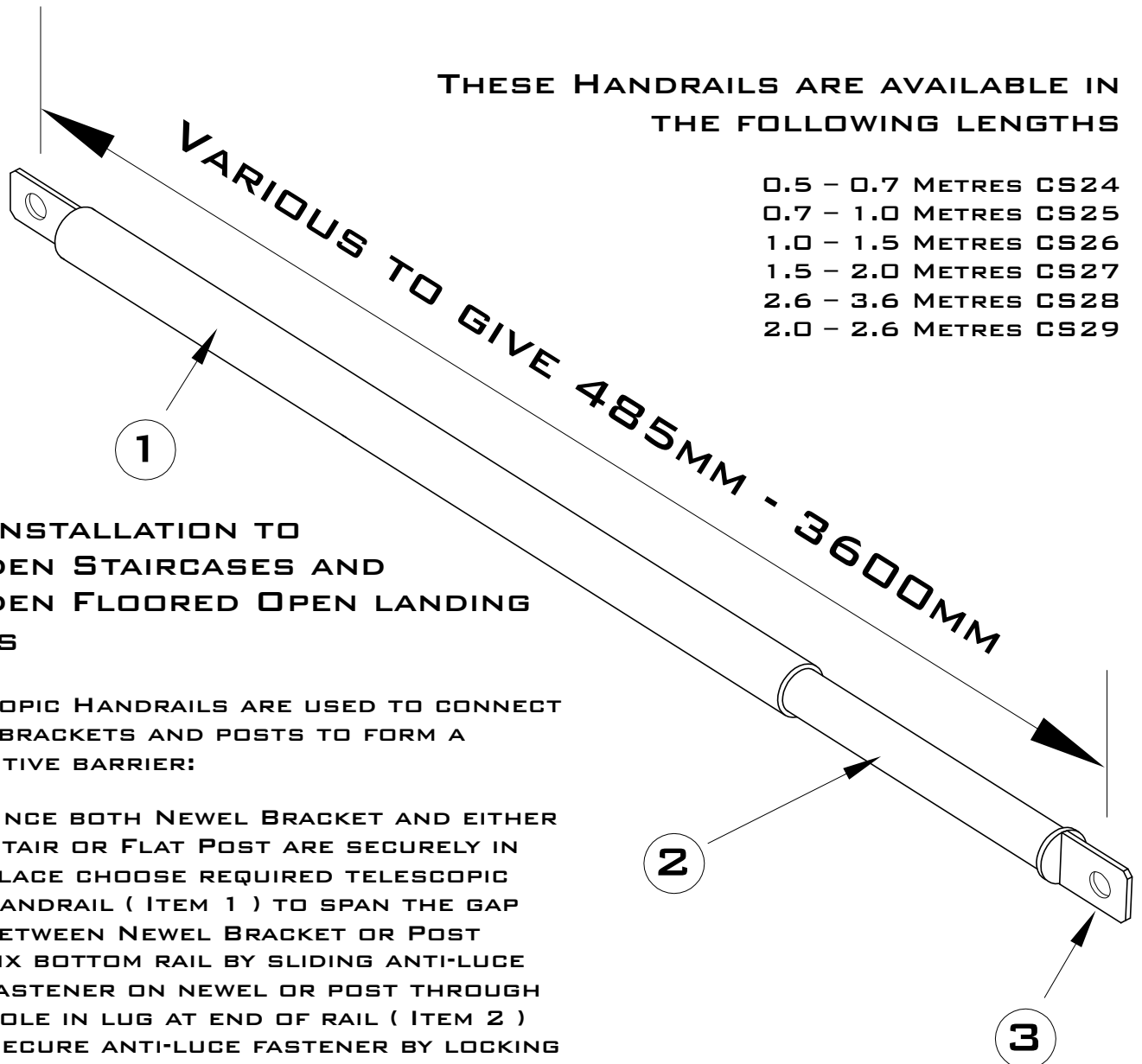
### FOR INSTALLATION TO WOODEN STAIRCASES WHERE IT IS NOT POSSIBLE TO USE NEWEL BRACKETS

- 01. POSITION POST ( ITEM 1 ) IN REQUIRED STAIR AND SECURE USING 6 NO. 8MM COACH BOLTS THROUGH FOOTPLATE ( ITEM 4 )
- 02. ENSURE ANTI-LUCE FASTENERS ( ITEM 2 ) ARE FACING OUTWARD OF THE STAIR EDGE
- 03. ENSURE THAT ANTI-LUCE FASTENERS ( ITEM 2 ) ARE IN HORIZONTAL POSITION TO ACCEPT TELESCOPIC HANDRAIL
- 04. FIT TOE-BOARDS TO POST LUGS ( ITEM 3 ) AS REQUIRED

- ① 42.2<sup>o</sup> CHS HANDRAIL
- ② INNER 26.9<sup>o</sup> CHS HANDRAIL  
(CS28 INNER 33.7<sup>o</sup> CHS HANDRAIL)
- ③ HOLES FOR BOLT CONNECTION TO CLAMP

THESE HANDRAILS ARE AVAILABLE IN THE FOLLOWING LENGTHS

0.5 - 0.7 METRES	CS24
0.7 - 1.0 METRES	CS25
1.0 - 1.5 METRES	CS26
1.5 - 2.0 METRES	CS27
2.6 - 3.6 METRES	CS28
2.0 - 2.6 METRES	CS29



FOR INSTALLATION TO WOODEN STAIRCASES AND WOODEN FLOORED OPEN LANDING AREAS

TELESCOPIC HANDRAILS ARE USED TO CONNECT NEWEL BRACKETS AND POSTS TO FORM A PROTECTIVE BARRIER:

01. ONCE BOTH NEWEL BRACKET AND EITHER STAIR OR FLAT POST ARE SECURELY IN PLACE CHOOSE REQUIRED TELESCOPIC HANDRAIL ( ITEM 1 ) TO SPAN THE GAP BETWEEN NEWEL BRACKET OR POST
02. FIX BOTTOM RAIL BY SLIDING ANTI-LUCE FASTENER ON NEWEL OR POST THROUGH HOLE IN LUG AT END OF RAIL ( ITEM 2 )
03. SECURE ANTI-LUCE FASTENER BY LOCKING IN UPRIGHT POSITION
04. EXTEND TELESCOPIC HANDRAIL ( ITEM 3 ) TO REQUIRED LENGTH AND SECURE TO OTHER POST BY SAME METHOD
05. REPEAT OPERATION FOR TOP HANDRAIL

## CS24, 25,26,27 & 29 TELESCOPIC HAND RAILS